



**Construction**

Pre-filters with removable basket, constructed in stainless steel.

Loose ring flange connections.

Clamp type closing with lever and double adjustment clamp.

Inner basket with Ø 6 mm holes.

**Applications**

For water circulation pump in filtration plants in swimming pools.

To prevent foreign bodies from entering the pump and the plant.

**Operating conditions**

Max working pressure: 3 bar.

Max flow: 180 m³/h for PF 100.

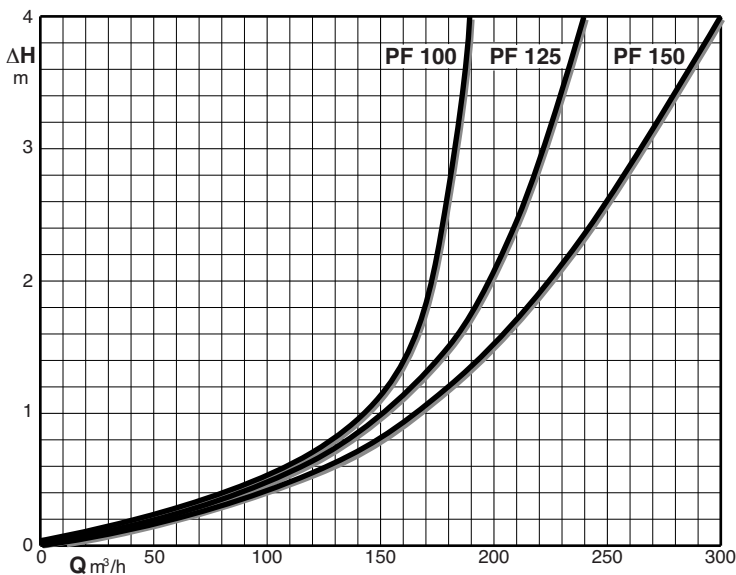
240 m³/h for PF 125.

300 m³/h for PF 150.

**Materials**

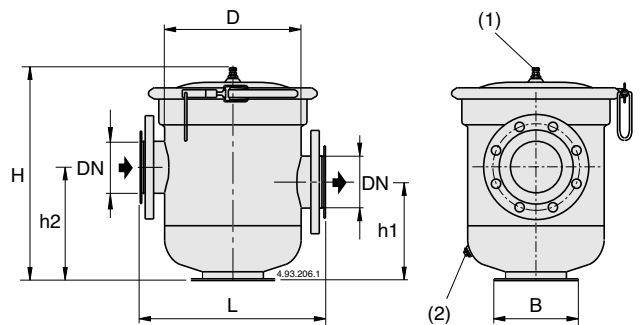
Components	Materials
Pre-filter body PF 100-304 PF 125-304 PF 150-304	Stainless steel AISI 304
Pre-filter body PF 100-316 PF 125-316 PF 150-316	Stainless steel AISI 316
Strainer basket	Stainless steel AISI 316

**Diagram of head loss**



ΔH = Head loss in meters

**Dimensions and weights**



Flanges UNI 6089 PN 10

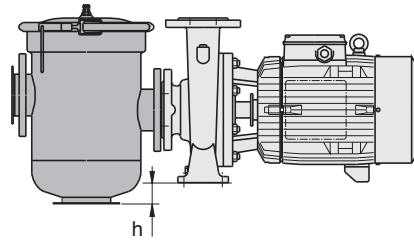
Type	mm							kg
	DN	H	h1	h2	L	D	B	
<b>PF 100</b>	100	530	247	287	440	292	185	17,5
<b>PF 125</b>	125				440	292	185	17,7
<b>PF 150</b>	150	550	260	300	500	350	210	23,3

1 Relief valve

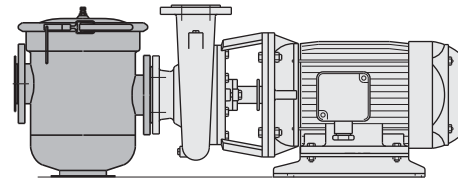
2 Draining plug

## Recommended pumps and pre-filters

Pump	Pre-filter type	h mm
NM 80/16E/A NM 80/16C/A-D/A NM 80/16B/A	<b>PF 100</b>	67
NM4 100/20B/A-C/A NM4 100/20A/A	<b>PF 125</b>	47
NM4 100/25B/A NM4 100/25A/A	<b>PF 125</b>	22
NM4 125/25D/A-E/A NM4 125/25C/A NM4 125/250A/A-B/A	<b>PF 150</b>	10 10 -



NM 80/16B/A-C/A-D/A-E/A  
NM4 100/20A/A-B/A-C/A  
NM4 100/25A/A-B/A  
NM4 125/25C/A-D/A-E/A

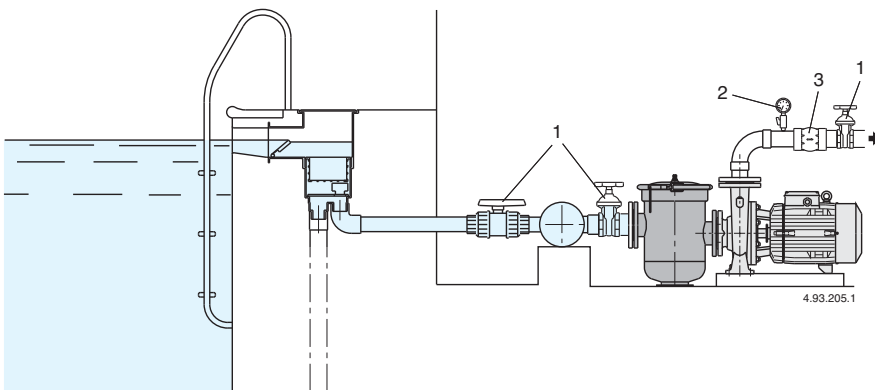


NM4 125/250A/A-B/A

4.93.181

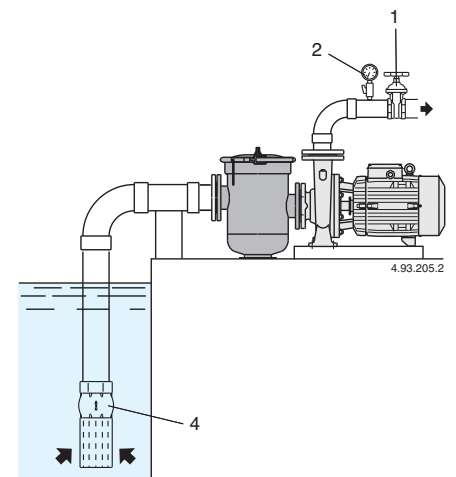
## Examples of installations

### Operation with positive suction head



4.93.205.1

### Operation with suction lift



4.93.205.2

- 1 Gate valve
- 2 Pressure gauge
- 3 Check valve
- 4 Foot valve