



Construction

Horizontal multi-stage close coupled pump.
Single-piece barrel casing in cast iron, with front suction port above pumps axis and radial delivery at top.
Stages in Noryl.

Applications

For water supply.
For domestic use, for garden use and irrigation.

Operating conditions

Liquid temperature: 0 °C to +50 °C.
Ambient temperature up to +40 °C.
Maximum permissible pressure in the pump casing: 8 bar.
Continuous duty.

Motor

2-pole induction motor, 60 Hz (n = 3450 rpm).

MGP: three-phase 220/380 V.

MGPM: single-phase 220 V, with thermal protector.
Capacitor inside the terminal box.

Insulation class F.

Protection IP 54.

Constructed in accordance with: EN 60034-1; EN 60034-30.
EN 60335-1, EN 60335-2-41.

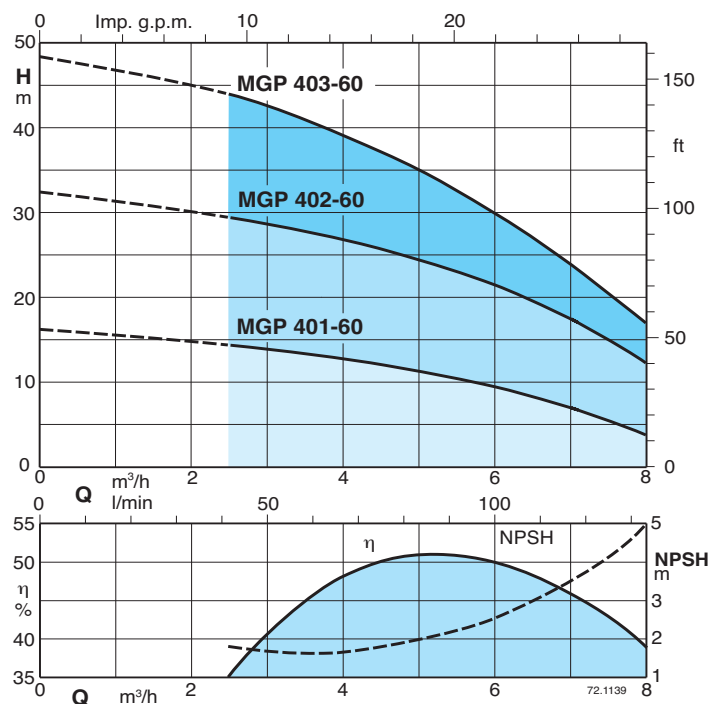
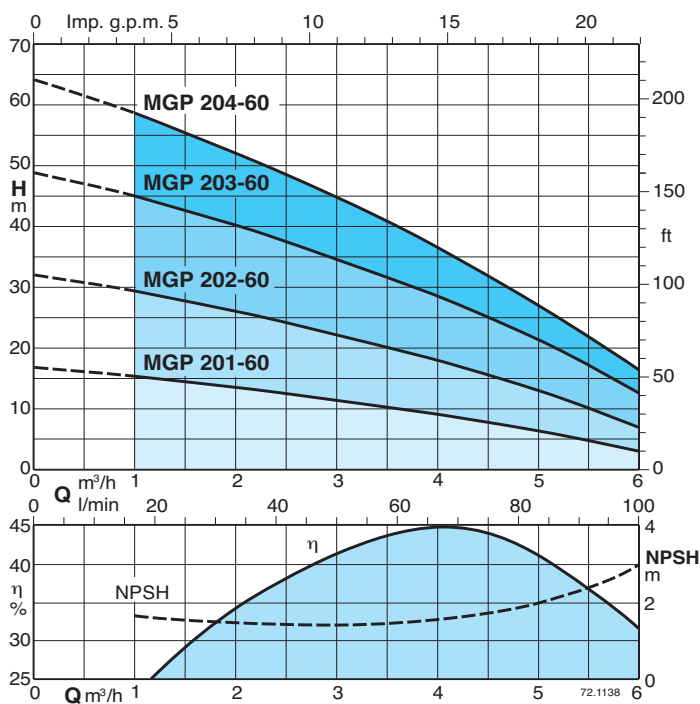
Special features on request

- Other voltages.
- Motor suitable for operation with frequency converter.

Materials

Component	Material
Pump casing	Cast iron GJL 200 EN 1561
Casing cover	Cr-Ni steel 1.4301 EN 10088 (AISI 304)
Pump Shaft	Chrome steel 1.4104 EN 10088 (AISI 430)
Stage casing	PPO-GF20 (Noryl)
Impeller	PPO-GF20 (Noryl)
Mechanical seal	Carbon - Ceramic - NBR

Characteristic curves n = 3450 rpm



Performance $n \approx 3450$ rpm

3 ~	220 V 380 V			1 ~	220 V		P ₂		Q	m ³ /h							
	A	A	IA/IN		A	IA/IN	kW	HP		l/min	0	1	2	3	4	5	6
MGP 201-60	1,7	1	4,7	MGPM 201-60	2,3	1,8	0,25	0,34	H	m	16,5	15,2	13,5	11,5	9	6,2	3
MGP 202-60	3,1	1,8	4,8	MGPM 202-60	4,1	2,7	0,45	0,6		32	29,5	26,5	22,5	18	13	7	
MGP 203-60/A	4,2	2,4	4,8	MGPM 203-60/A	6,2	3,2	0,75	1		48,5	45	40,5	34,5	28,5	21,5	12,5	
MGP 204-60/A	4,2	2,4	4,8	MGPM 204-60/A	6,2	3,2	0,75	1		64	58,5	52	45	36,5	27	16,5	

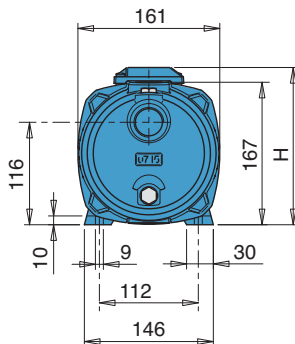
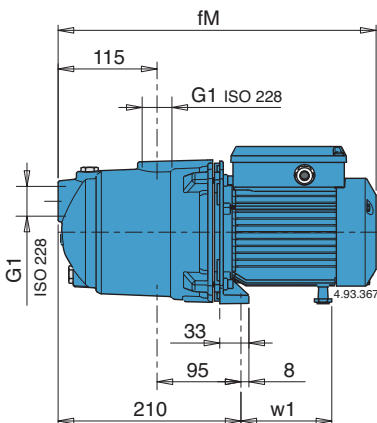
3 ~	220 V 380 V			1 ~	220 V		P ₂		Q	m ³ /h							
	A	A	IA/IN		A	IA/IN	kW	HP		l/min	0	2,5	4	5	6	7	8
MGP 401-60	2	1,2	4	MGPM 401-60	2,8	2,7	0,33	0,45	H	m	16,3	14,5	13	11	9,2	7	4
MGP 402-60/A	4,2	2,4	4,8	MGPM 402-60/A	6,2	3,2	0,75	1		32,5	29,5	27	24,5	21,5	17,5	12,5	
MGP 403-60/A	5,4	3,1	4,2				1,1	1,5		48,5	44	39	35	30	24	17	

P₂ Rated motor power output.
IA/IN = D.O.L. starting current / Rated current

Test results with clean cold water, without gas content.
+ 0,5 m security margin on NPSH-value is necessary.

Tolerances according to UNI EN ISO 9906:2012.
For capacities over 4 m³/h use a suction pipe G 1 1/4 (DN 32).

Dimensions and weights



TYPE	mm			kg	
	fM	H	w1	MGP	MGPM
MGP 201-60 - MGPM 201-60	362	176	102	8,9	9
MGP 202-60 - MGPM 202-60	362	176	102	10,2	10,2
MGP 203-60/A - MGPM 203-60/A	391	192	112	12,5	13,5
MGP 204-60/A - MGPM 204-60/A	391	192	112	12,6	13,6
MGP 401-60 - MGPM 401-60	362	176	102	8,9	9
MGP 402-60/A - MGPM 402-60/A	391	192	112	12,4	13,4
MGP 403-60/A	391	192	112	14	

Features

Extra safety

against running dry, with the suction port above pump axis.

Robust

Single-piece barrel casing.

Compact

Single-piece lantern bracket and base.

Low noise

with the water-filled shroud around the stages.

