

### Construction

Horizontal multi-stage close coupled pump.  
Single-piece barrel casing in chrome-nickel stainless steel, with front suction port above pumps axis and radial delivery at top. Stages in Noryl.

### Applications

For water supply.  
For domestic use, for garden use and irrigation.

### Operating conditions

Liquid temperature: 0 °C to +50 °C.  
Ambient temperature up to +40 °C.  
Maximum permissible pressure in the pump casing: 8 bar.  
Continuous duty.

### Motor

2-pole induction motor, 60 Hz (n = 3450 rpm).  
**MXP:** three-phase 220/380 V.  
**MXPM:** single-phase 220 V, with thermal protector. Capacitor inside the terminal box.  
Insulation class F.  
Protection IP 54.  
Constructed in accordance with: EN 60034-1; EN 60034-30.  
EN 60335-1, EN 60335-2-41.

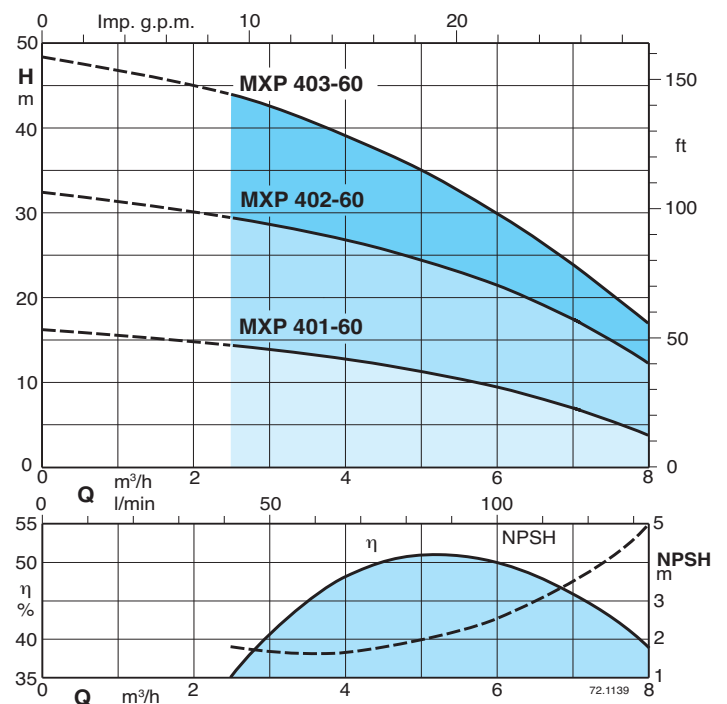
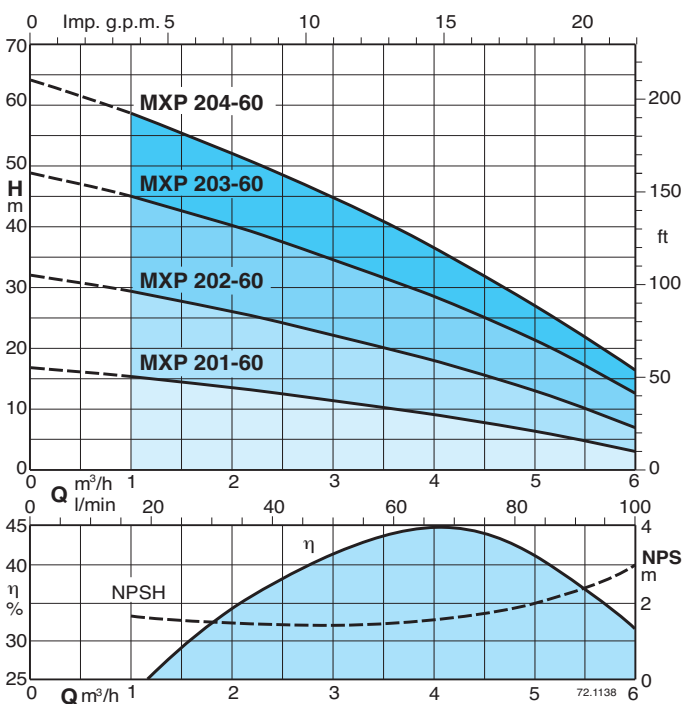
### Special features on request

- Other voltages.
- Motor suitable for operation with frequency converter.

### Materials

Component	Material
Pump casing	Cr-Ni steel 1.4301 EN 10088 (AISI 304)
Casing cover	Cr-Ni steel 1.4301 EN 10088 (AISI 304)
Pump Shaft	Chrome steel 1.4104 EN 10088 (AISI 430)
Plug	Cr-Ni steel 1.4305 EN 10088 (AISI 303)
Stage casing	PPO-GF20 (Noryl)
Impeller	PPO-GF20 (Noryl)
Mechanical seal	Carbon - Ceramic - NBR

### Characteristic curves n = 3450 rpm



## Performance $n \approx 3450$ rpm

	220 V 380 V			220 V			P <sub>2</sub>		Q								
	A	A	IA/IN	A	IA/IN	kW	HP	m <sup>3</sup> /h		0	1	2	3	4	5	6	
MXP 201-60	1,7	1	4,7	MXPM 201-60	2,3	1,8	0,25	0,34	H	m	16,5	15,2	13,5	11,5	9	6,2	3
MXP 202-60	3,1	1,8	4,8	MXPM 202-60	4,1	2,7	0,45	0,6		32	29,5	26,5	22,5	18	13	7	
MXP 203-60/A	4,2	2,4	4,8	MXPM 203-60/A	6,2	3,2	0,75	1		48,5	45	40,5	34,5	28,5	21,5	12,5	
MXP 204-60/A	4,2	2,4	4,8	MXPM 204-60/A	6,2	3,2	0,75	1		64	58,5	52	45	36,5	27	16,5	

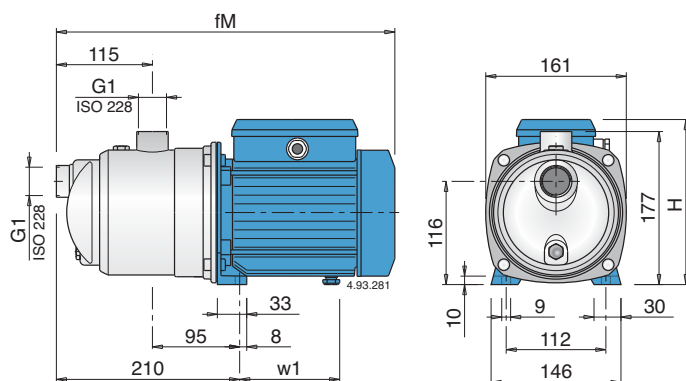
	220 V 380 V			220 V			P <sub>2</sub>		Q								
	A	A	IA/IN	A	IA/IN	kW	HP	m <sup>3</sup> /h		0	2,5	4	5	6	7	8	
MXP 401-60	2	1,2	4	MXPM 401-60	2,8	2,7	0,33	0,45	H	m	16,3	14,5	13	11	9,2	7	4
MXP 402-60/A	4,2	2,4	4,8	MXPM 402-60/A	6,2	3,2	0,75	1		32,5	29,5	27	24,5	21,5	17,5	12,5	
MXP 403-60/A	5,4	3,1	4,2				1,1	1,5		48,5	44	39	35	30	24	17	

P<sub>2</sub> Rated motor power output.  
IA/IN = D.O.L. starting current / Rated current

Test results with clean cold water, without gas content.  
+ 0,5 m security margin on NPSH-value is necessary.

Tolerances according to UNI EN ISO 9906:2012.  
For capacities over 4 m<sup>3</sup>/h use a suction pipe G 1 1/4 (DN 32).

## Dimensions and weights



TYPE	mm			kg	
	fM	H	w1	MXP	MXPM
MXP 201-60 - MXPM 201-60	362	176	102	5,9	5,9
MXP 202-60 - MXPM 202-60	362	176	102	7,2	7,2
MXP 203-60/A - MXPM 203-60/A	391	192	112	9,5	10,5
MXP 204-60/A - MXPM 204-60/A	391	192	112	9,6	10,6
MXP 401-60 - MXPM 401-60	362	176	102	5,9	5,9
MXP 402-60/A - MXPM 402-60/A	391	192	112	9,4	10,4
MXP 403-60/A	391	192	112	11	

## Features

### Extra safety

against running dry, with the suction port above pump axis.

### Robust

Single-piece barrel casing.

### Compact

Single-piece lantern bracket and base.

### Low noise

with the water-filled shroud around the stages.

