



### Construction

Submersible pumps with high power grinder.  
Twin mechanical seal with oil chamber (lip-seal motor side up to 1,6 kW).  
Delivery connection DN 40.

### Applications

Suitable for pumping waste water containing long filamentous, Paper and textile materials and organics.  
They are particularly suitable for use in domestic, residential and industrial installations  
Solid passage from 6 and 7 mm

### Operating conditions

Liquid temperature up to 40 °C.  
Maximum immersion depth: 20 m (with suitable cable length).  
Continuous duty (with pump immersed at minimum level).

### Motor

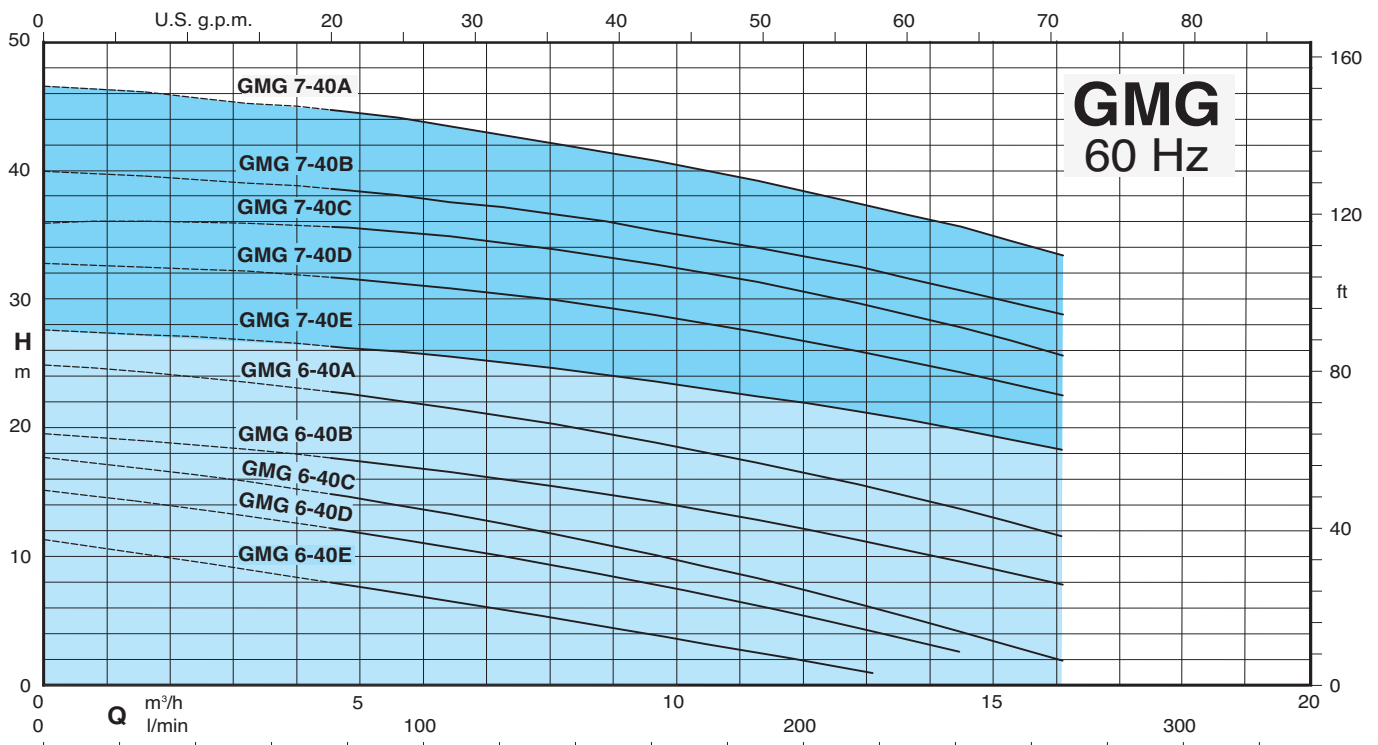
2 poles induction, 60Hz  
Single-phase version: 220V ± 10%, with float switch and control box with thermal protection and starting capacitors.  
Three-phase version: 380V ± 10%, up to 3,2 kW  
380/660V ± 10%, over 3,2 kW

Insulation class: H  
Protection degree: IP 68  
N° of starting x hour: max 15 with regular intervals  
Cable: H07RN-F, length 10 m  
Other models: contact our sale office


### Main materials

Pump casing: cast iron EN-GJL-250  
Motor casing: cast iron EN-GJL-250  
Motor cover: cast iron EN-GJL-250  
Impeller: cast iron GS 400  
Shaft : stainless steel AISI 420B  
Lip seal made of nitrile up to 1,6 kW  
Mechanical seal motor side: graphite/ceramic to 1,6 kW  
Mechanical seal pump side: silicon carbide/silicon carbide

### Coverage chart



### Technical data

TYPE	P <sub>2</sub> kW	I <sub>N</sub> A	Power Supply	r.p.m.	Starting	DN mm	Free passage Ø mm	Thermal protector	Humidity probe	 ATEX Eex
GMGM 6-40E-60	0,78	5,5	1~ 220V	3450	D.O.L.	40	6	●	NO	
GMG 6-40E-60	0,95	2,5	3~ 380V	3450	D.O.L.	40	6	NO	NO	✓
GMGM 6-40D-60	1,1	7,5	1~ 220V	3450	D.O.L.	40	6	●	NO	
GMG 6-40D-60	1,4	3,5	3~ 380V	3450	D.O.L.	40	6	NO	NO	✓
GMGM 6-40C-60	1,1	7,5	1~ 220V	3450	D.O.L.	40	6	●	NO	
GMG 6-40C-60	1,4	3,5	3~ 380V	3450	D.O.L.	40	6	NO	NO	✓
GMGM 6-40B-60	1,8	10	1~ 220V	3450	D.O.L.	40	6	●	NO	
GMG 6-40B-60	2,4	5	3~ 380V	3450	D.O.L.	40	6	NO	NO	✓
GMGM 6-40A-60	1,8	10	1~ 220V	3450	D.O.L.	40	6	●	NO	
GMG 6-40A-60	2,4	5	3~ 380V	3450	D.O.L.	40	6	NO	NO	✓
GMG 7-40E-60	3,2	6,5	3~ 380V	3450	D.O.L.	40	7	NO	NO	✓
GMG 7-40D-60	3,2	6,5	3~ 380V	3450	D.O.L.	40	7	NO	NO	✓
GMG 7-40C-60	5,1	11	3~ 380/660V	3450	Y/Δ	40	7	●	●	✓
GMG 7-40B-60	5,1	11	3~ 380/660V	3450	Y/Δ	40	7	●	●	✓
GMG 7-40A-60	5,1	11	3~ 380/660V	3450	Y/Δ	40	7	●	●	✓

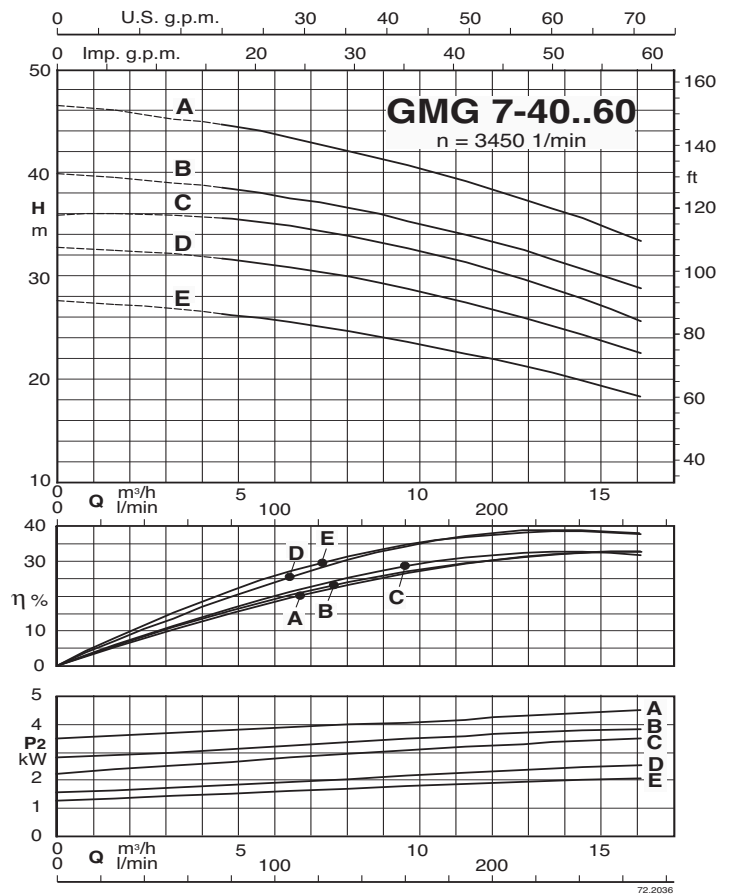
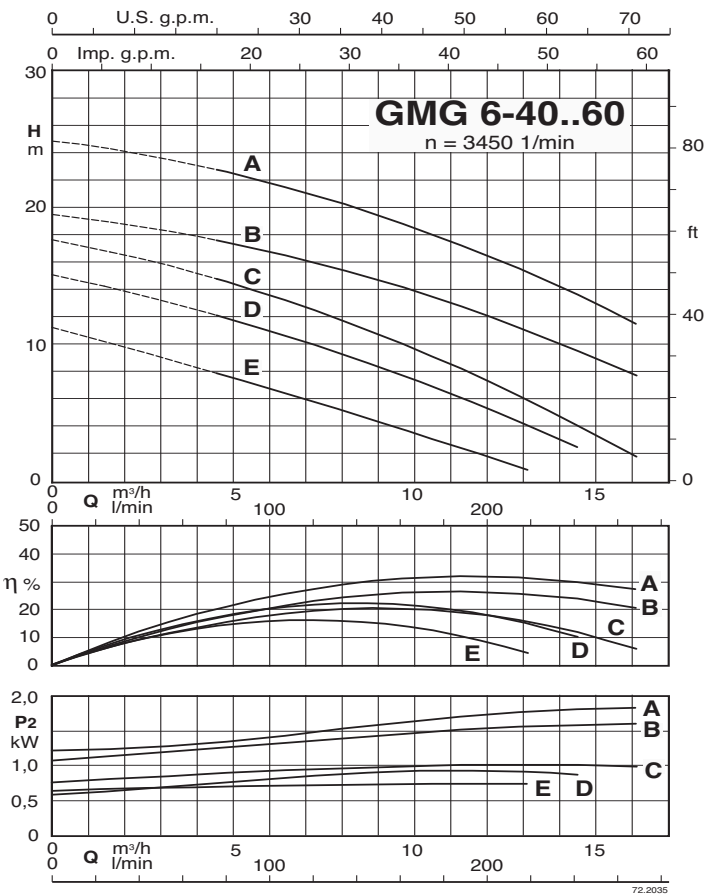
P<sub>2</sub> Rated power output

I<sub>N</sub> Rated current

● Standard

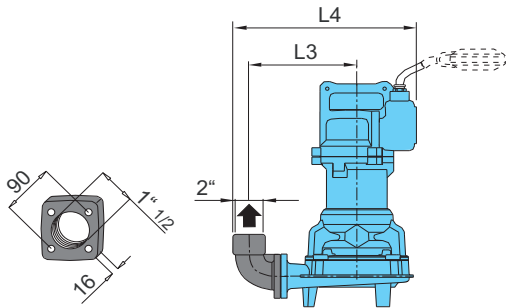
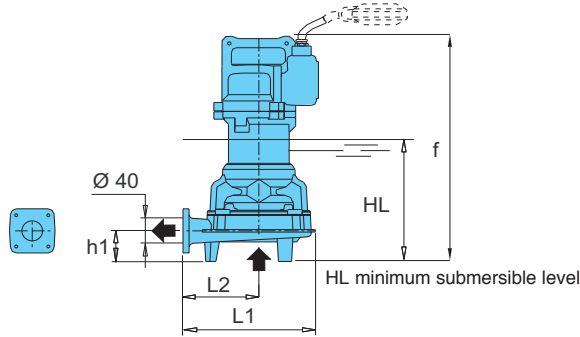
✓ ATEX Eex Version on demand

### Characteristic curves

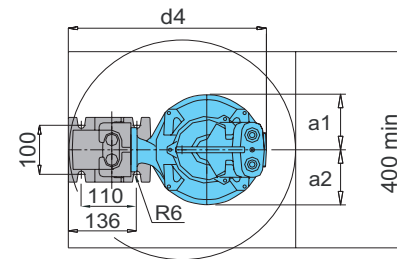
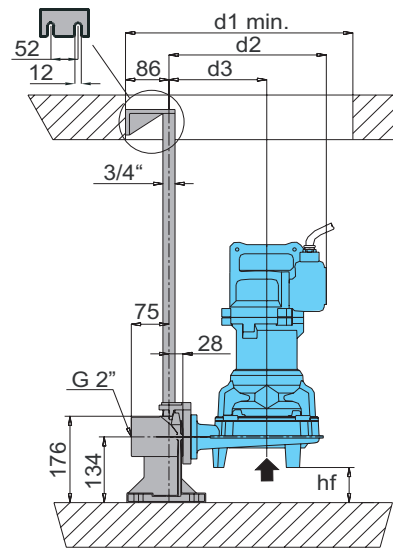


### Dimensions and weights

GMGM 6-40..60  
 GMG 6-40..60  
 GMG 7-40..60



Version with threaded flange and 90° elbow



Version with duck foot coupling

TYPE	Dimensions mm															Weight kg
	Ø1	f	HL	hf	h1	a1	a2	d1	d2	d3	d4	L1	L2	L3	L4	
GMGM 6-40E-60	40	460	240	71	63	112	112	450	312	194	392	268	150	212	262	40
GMG 6-40E-60																
GMGM 6-40D-60																
GMG 6-40D-60																
GMGM 6-40C-60																
GMG 6-40C-60																
GMGM 6-40B-60	40	458	315	10	124	121	121	450	327	189	413	288	150	230	405	45
GMG 6-40B-60																
GMGM 6-40A-60																
GMG 6-40A-60																
GMG 7-40E-60																
GMG 7-40D-60																
GMG 7-40C-60	40	517	336	10	124	121	121	450	334	189	420	295	150	230	412	60
GMG 7-40B-60																
GMG 7-40A-60																