



## Materials

Components	Materials
Pump casing	Cast iron GJL 200 EN 1561
Gears	Steel 18 Ni Cr Mo 5 UNI 8550
Shafts	Steel 18 Ni Cr Mo 5 UNI 8550
Radial shaft seal ring	FPM

## Construction

Close-coupled gear pumps (rotary pumps).  
Pump casing with suction and delivery connections with the same diameter and on the same axis (in-line execution).

## Applications

For fuel oil and liquids with lubricating properties.

## Operating conditions

Kinematic viscosity from 30 mm<sup>2</sup>/s (4 °E) to 120 mm<sup>2</sup>/s (15°E).  
Liquid temperature up to 90 °C.  
Ambient temperature up to 40 °C.  
Total suction lift up to 4 m.  
Continuous duty.

## Motor

4-pole induction motor, 60 Hz (n ≈ 1750 rpm).

**I, IR, IRR**: three-phase 220/380 V.

**IM** : single-phase 220 V.

Insulation class F.

Protection IP 54.

Constructed in accordance with: EN 60034-1; EN 60034-30.  
EN 60335-1, EN 60335-2-41.

## Special features on request

- Other voltages.
- Protection IP 55.
- Higher liquid or ambient temperatures.

## Performances n ≈ 1750 rpm

	3 ~ 220V 380V		1 ~ 220V P <sub>1</sub>		P <sub>2</sub>		n rpm	Q m <sup>3</sup> /h l/min	Δp bar	0.72
	A	A	A	kW	kW	HP				12
<b>I</b>	<b>25/4-60/A</b>	1,7	1	<b>IM 25/4-60/A</b>	2,5	0,48	0,25	0,34	1750	2
<b>IR</b>	<b>25/4-60/A</b>	2,4	1,4				0,37	0,5	1750	2.5
<b>IRR</b>	<b>25/4-60/A</b>	3,8	2,2				0,75	1	1750	5

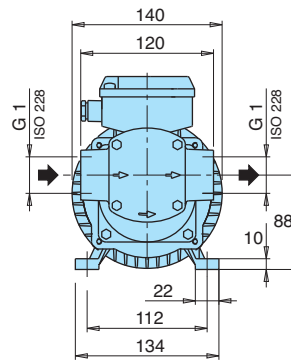
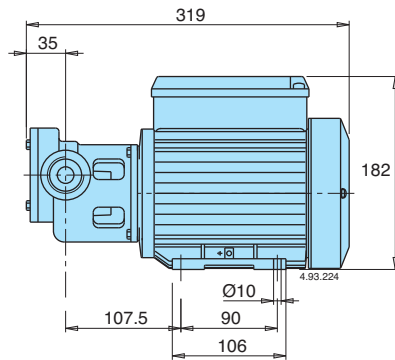
P<sub>1</sub> Max. power input.

P<sub>2</sub> Rated motor power output.

Δp Differential pressure.

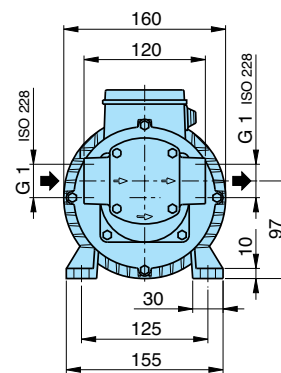
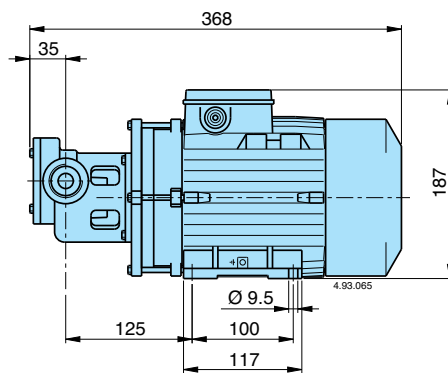
## Dimensions and weights

I 25/4-60/A  
IM 25/4-60/A  
IR 25/4-60/A



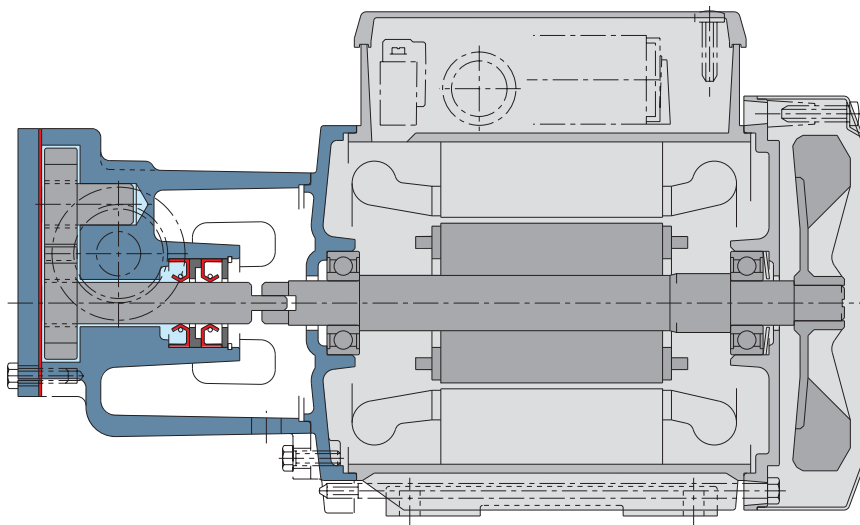
TYPE	kg
I 25/4-60/A	10
IM 25/4-60/A	11,7
IR 25/4-60/A	11,6

IRR 25/4-60/A



TYPE	kg
IRR 25/4-60/A	17,6

## Features



### Innovative structure

The flanged pump casing and two piece shaft allows the hydraulics to be disassembled easier, facilitating quick maintenance operations.