

### Construction

Horizontal multi-stage, self-priming, close coupled pump. Single-piece barrel casing in chrome-nickel stainless steel, with front suction port above pumps axis and radial delivery at top. Stages in Noryl.

### Applications

For water supply.  
For domestic use, for garden use and irrigation.

### Operating conditions

Liquid temperature: 0 °C to +35 °C.  
Ambient temperature up to +40 °C.  
Maximum permissible pressure in the pump casing: 8 bar.  
Continuous duty.

### Motor

2-pole induction motor, 60 Hz ( $n \approx 3450$  1/min).

**MXA:** three-phase 220/380 V.

**MXAM:** single-phase 220 V, with thermal protector.  
Capacitor inside the terminal box.

Insulation class F.

Protection IP 54.

**Classification scheme IE2 for three-phase motors from 0,75 kW.**

Constructed in accordance with: EN 60034-1; EN 60034-30.

EN 60335-1, EN 60335-2-41.

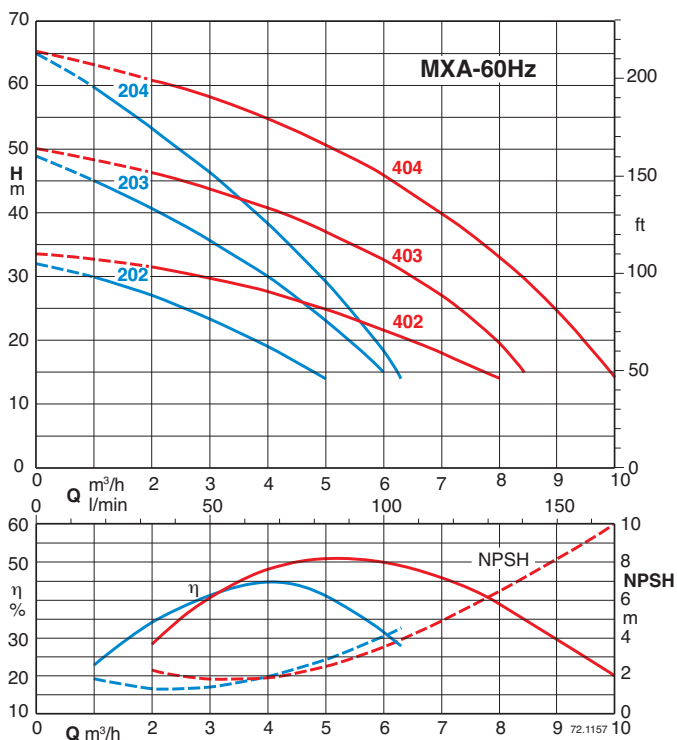
### Materials

Component	Material
Pump casing	Cr-Ni steel 1.4301 EN 10088 (AISI 304)
Casing cover	Cr-Ni steel 1.4301 EN 10088 (AISI 304)
Pump Shaft	Chrome steel 1.4104 EN 10088 (AISI 430) Cr-Ni steel 1.4305 EN 10088 (AISI 303) for MXAM 403 MXA 404
Plug	Cr-Ni steel 1.4305 EN 10088 (AISI 303)
Suction casing	PPO-GF20 (Noryl)
Stage casing	PPO-GF20 (Noryl)
Impeller	PPO-GF20 (Noryl)
Mechanical seal	Carbon - Ceramic - NBR

### Special features on request

- Other voltages.

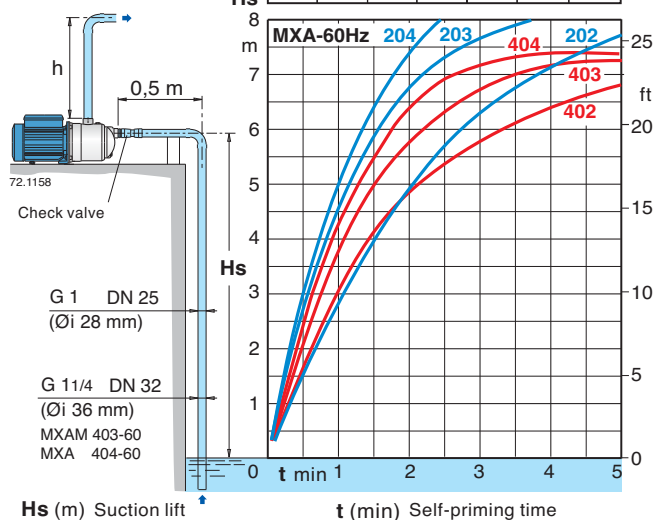
### Characteristic curves $n \approx 3450$ rpm



### Self-priming capability

H<sub>2</sub>O, T = 20°C,  
Pa = 1000 hPa (mbar)  
60 Hz ( $n \approx 3450$  1/min)

H <sub>s</sub> (m) ≤	h (mm)					
	202	203	204	402	403	404
2	100	100	100	100	500	500
4	100	200	200	100	500	500
6	100	300	300	100	500	500
7	200	300	450	200	500	500
8	300	450	450	-	-	-



## Performance $n \approx 3450$ rpm

3 ~	220 V 380 V			1 ~	220 V		P <sub>2</sub>		Q	0	1	2	3	4	5	6	6,3		
	A	A	IA/IN		A	IA/IN	kW	HP		l/min									
MXA 202-60	3,1	1,8	4,8	MXAM 202-60	4,1	2,7	0,45	0,6	H	32	30	27	23	19	14				
MXA 203-60/A	4,5	2,6	6,8	MXAM 203-60/A	6,2	3,2	0,75	1		49	45	41	35,5	30	23	15			
MXA 204-60/A	4,5	2,6	6,8	MXAM 204-60/A	6,2	3,2	0,75	1		65	60	53	47	38	29	19	14		

3 ~	220 V 380 V			1 ~	220 V		P <sub>2</sub>		Q	0	2	4	5	6	7	8	8,4	9	10
	A	A	IA/IN		A	IA/IN	kW	HP		l/min									
MXA 402-60/A	4,5	2,6	6,8	MXAM 402-60/A	6,2	3,2	0,75	1	H	33,5	31,5	27,5	25	21,5	18	14			
MXA 403-60/B	5,7	3,3	5,5	MXAM 403-60	8,5	3	1,1	1,5		50	46	41	37	32	27	20	15		
MXA 404-60	9	5,2	5,4	MXAM 404-60	10,6	3,8	1,5	2		65,5	61,5	55	50,5	45,5	40	33	30	24,5	14,5

P<sub>2</sub> Rated motor power output.

Test results with clean cold water, without gas content.

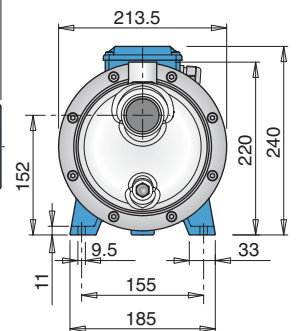
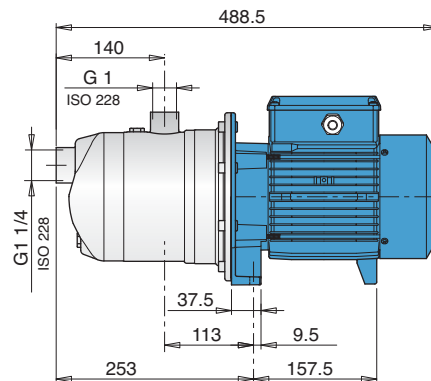
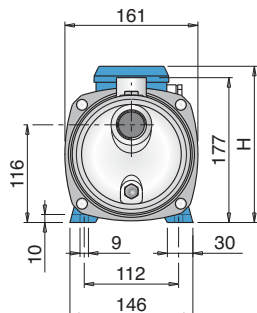
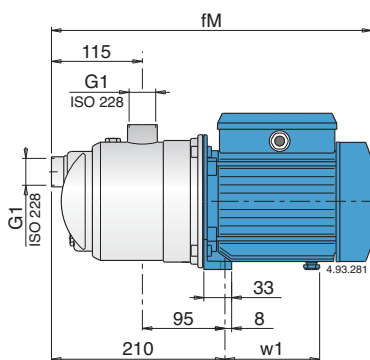
Tolerances according to UNI EN ISO 9906:2012.

IA/IN = D.O.L. starting current / Rated current

+ 0,5 m security margin on NPSH-value is necessary.

For capacities over 4 m<sup>3</sup>/h use a suction pipe G 1 1/4 (DN 32).

## Dimensions and weights



TYPE	mm			Net weight kg	
	fM	H	w1	MXA	MXAM
MXA 202-60 - MXAM 202-60	362	176	102	7,3	7,3
MXA 203-60/A - MXAM 203-60/A	391	192	112	9,6	10,6
MXA 204-60/A - MXAM 204-60/A	391	192	112	9,7	10,7
MXA 402-60/A - MXAM 402-60/A	391	192	112	9,5	10,5

TYPE	Net weight kg	
	MXA	MXAM
MXA 403-60/B - MXAM 403-60	16	16,3
MXA 404-60 - MXAM 404-60	17,2	17,6

## Features

### Extra safety

against running dry, with the suction port above pump axis and with the self-priming construction.

### Robust

Single-piece barrel casing.

### Compact

Single-piece lantern bracket and base.

### Low noise

with the water-filled shroud around the stages.

